

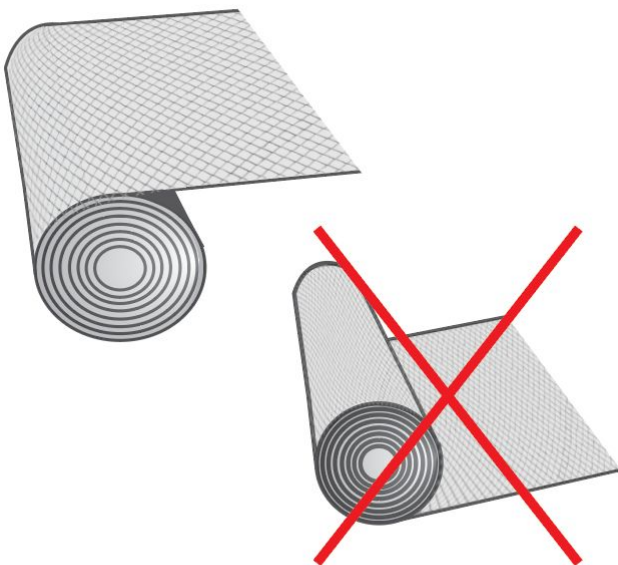
HOW TO UNROLL CHAIN LINK FENCE

THINGS YOU'LL NEED: wire cutters, pliers

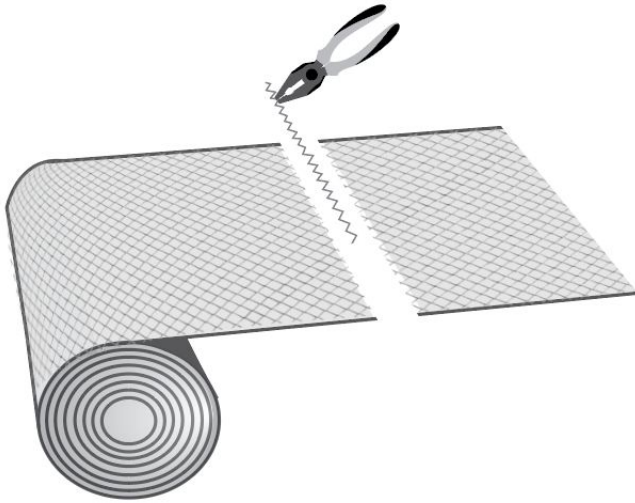
INSTRUCTIONS



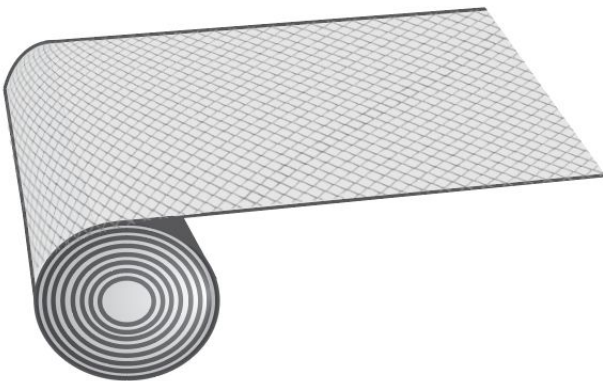
Step 1: Cut the tying wires.



Step 2: Start unrolling the mesh.



Step 3: Unweave one strand of wire where you want the section to end.



Step 4: Pull the mesh and unroll it completely.