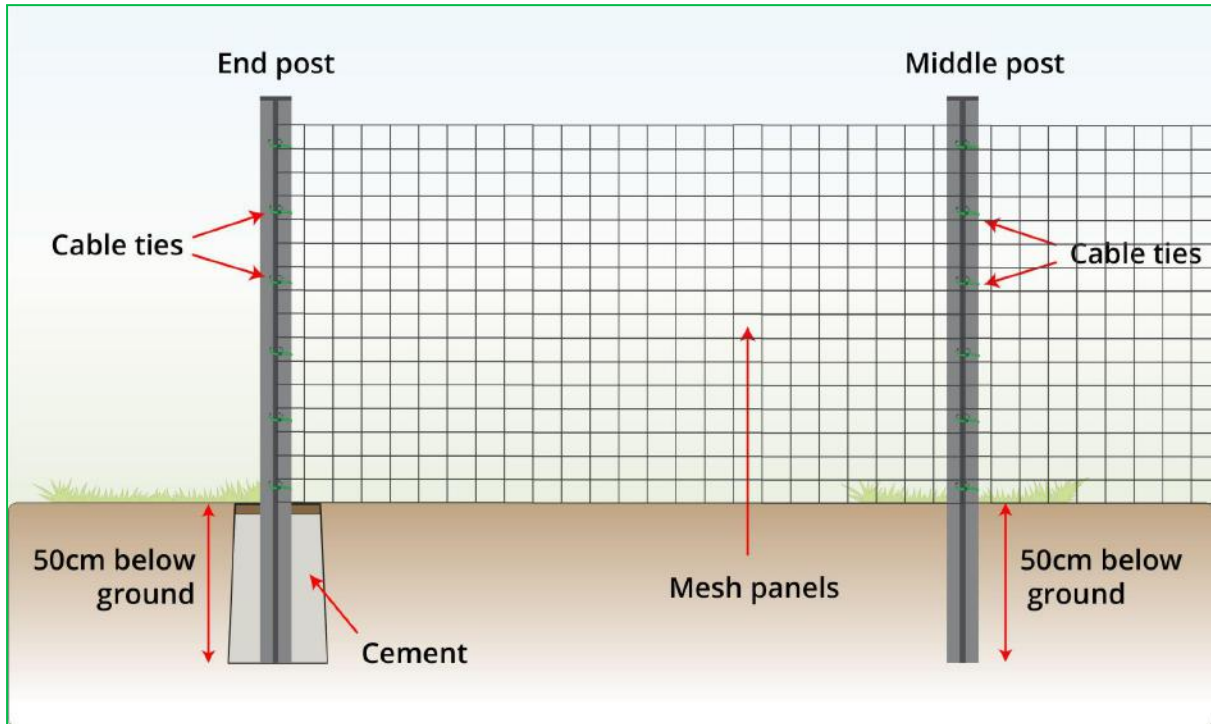


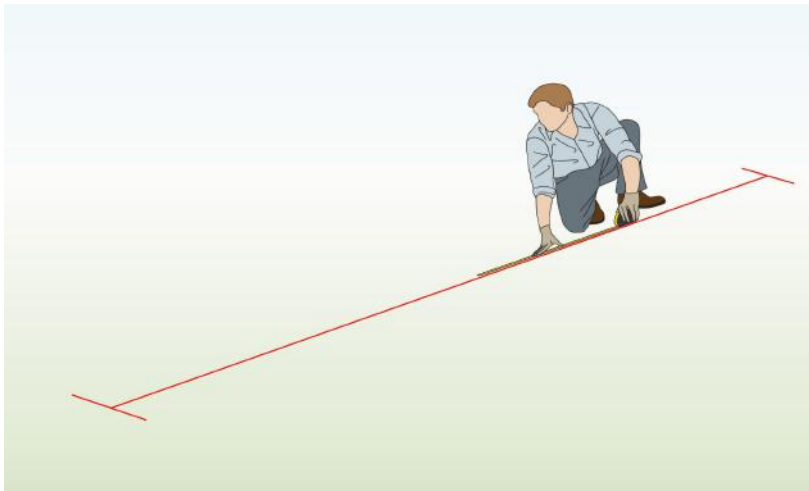
T-POST INSTALLATION With Mesh Panels



THINGS YOU'LL NEED

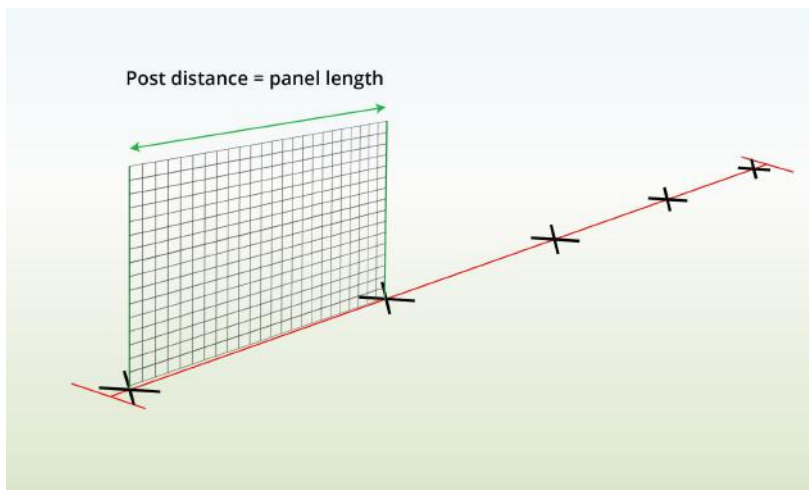
- [T Posts](#)
- Tape measure
- [Mesh panels](#)
- Post driver or mallet
- [Cable ties](#)
- Spirit level
- String
- Spade (optional)
- Cement (optional)

INSTRUCTIONS



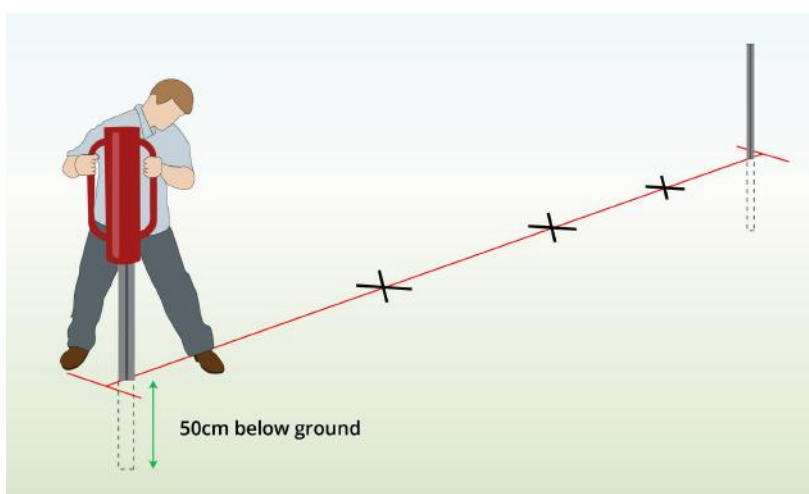
Step 1: Mark Area

Mark a straight fence line between the two end posts.



Step 2: Measure Post Distance

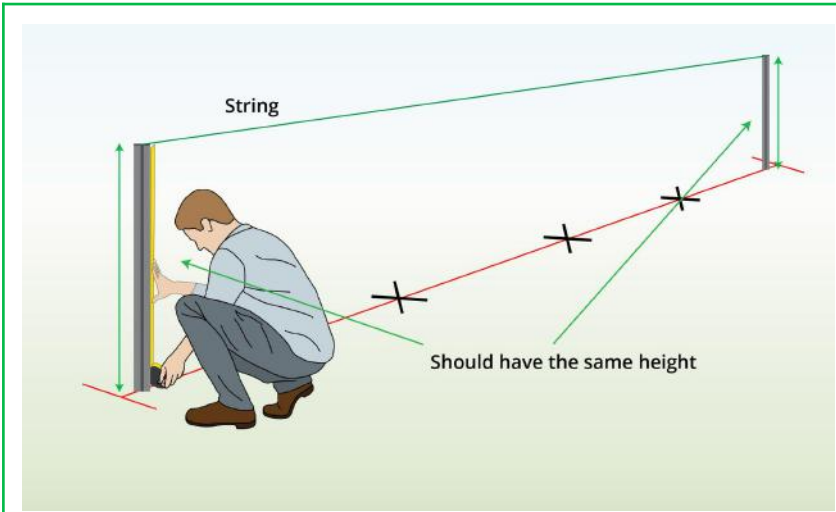
Use your panels to mark the distance between the posts.



Step 3: Install End Posts

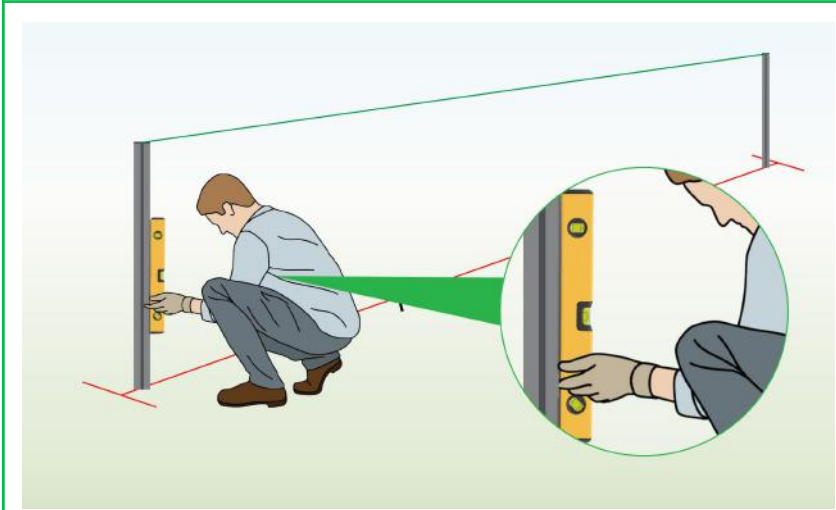
Using a post driver or mallet to drive the end posts 50cm into the ground.

Make sure the posts face the same direction by ensuring the holes face each other.



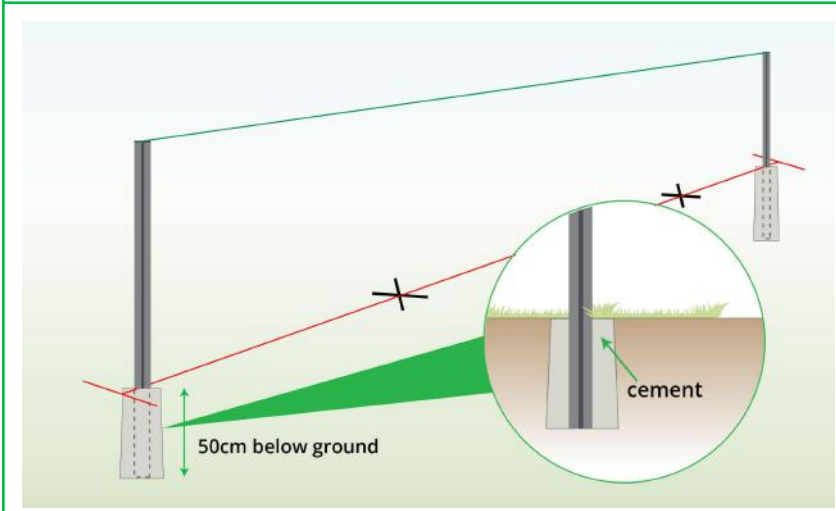
Step 4: Check for Same Height

Attach a piece of string between the end posts then check with a tape measure that they have been installed at the same height.



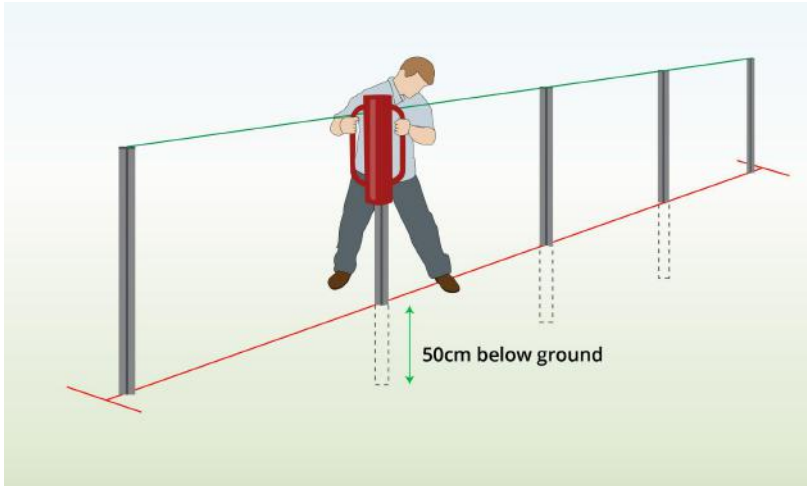
Step 5: Check for Straightness

Also use a spirit level to ensure the posts have also been installed perfectly straight.



Step 6 (Optional): Set in Concrete

For stronger and more secure fencing, set your posts in concrete by digging a 50cm hole and pouring cement into it for your post to sit in.

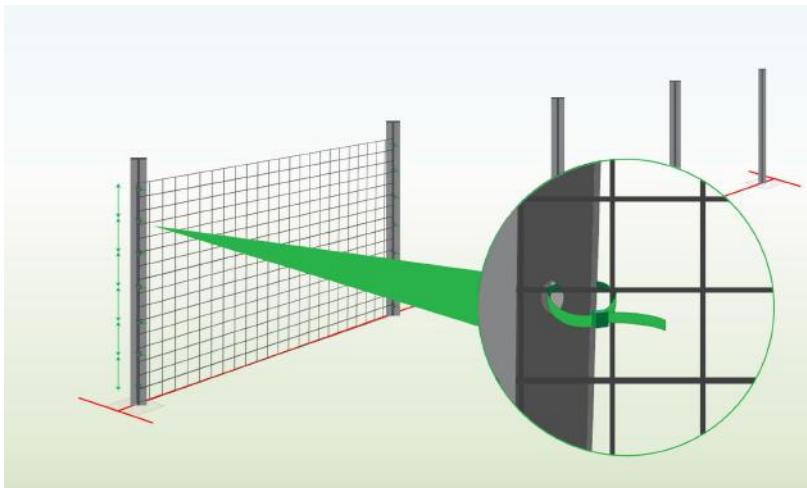


Step 7: Install Middle Posts

Install middle posts by repeating steps 3-5.

Remember to check the posts are facing in the same direction and they are being installed both straight and at the same height.

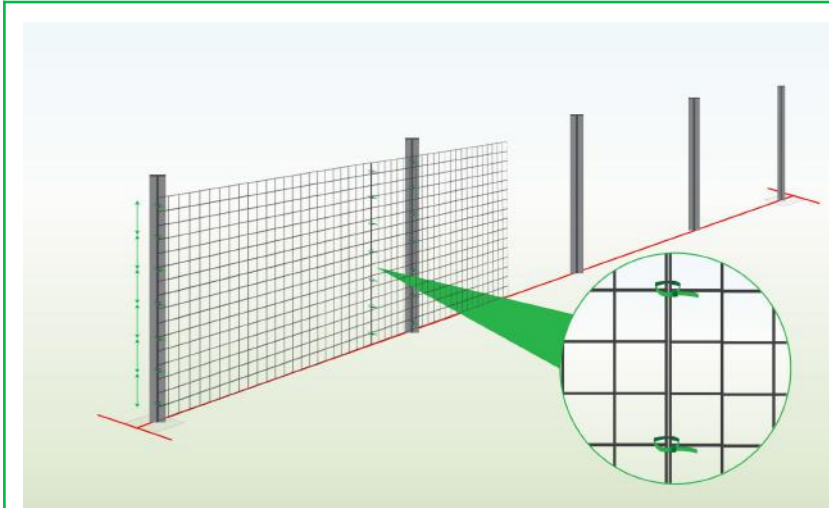
You can also concrete in the middle posts if you would like an extra strong fence.



Step 8: Attach Panel to Posts

Start at the end post, attach the mesh to the end post using cable ties, which you can thread through the pre-drilled holes in the post.

You can also add more cable ties by enclosing the whole post.

**Alternative Option:**

Extend distance between posts by overlapping panels. The panels need to be attached together with cable ties.