

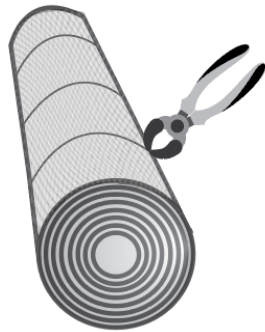
HOW TO UNROLL & SHORTEN CHAIN LINK FENCE

Easy Step-by-Step



THINGS YOU'LL NEED:

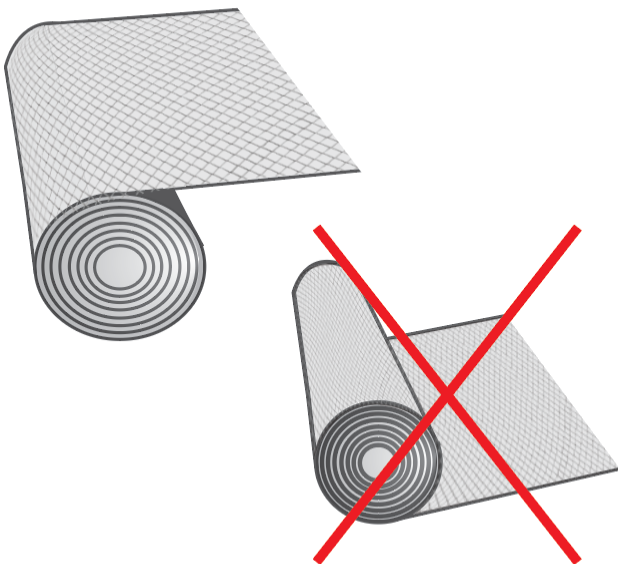
- Wire Cutters
- Pliers
- Protective Gloves

INSTRUCTIONS

Step 1: Cut the tying wires that are used to fasten the roll and keep it from unraveling.

Do this carefully so that you don't cut into the mesh itself.

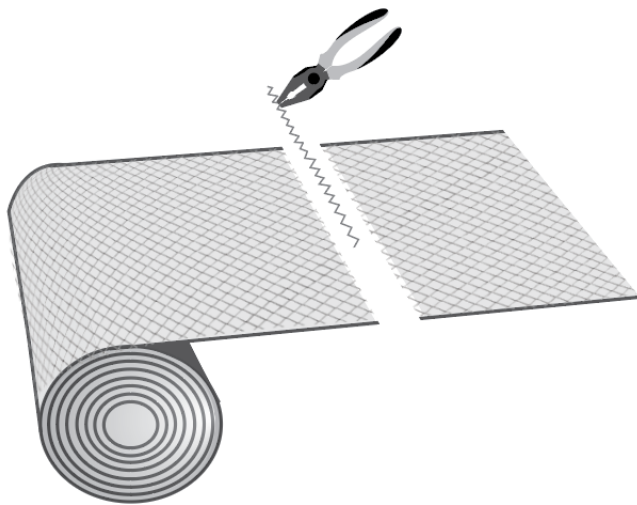
Tip: Use protective gloves to shield your hands from any cuts or scratches the wire might cause.



Step 2: Place the roll on the ground with the loose end upwards, facing in your direction.

Pay attention to the direction of the roll, as the chain link can get damaged if it's being dragged on the ground while unrolling.

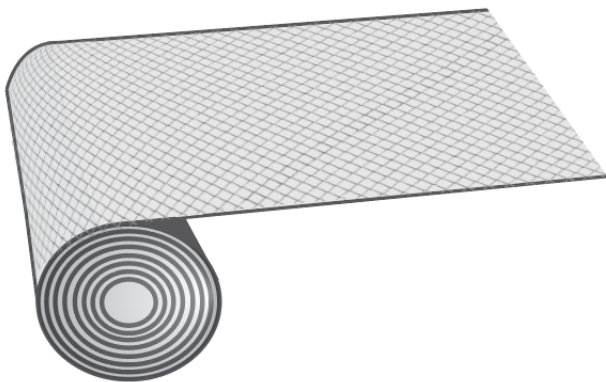
Start unrolling the mesh carefully, making sure it's not getting caught in anything.



Step 3: Chain link can be cut to size but it's easier to shorten its length by detaching two sections.

You can do this by unweaving one strand of wire where you want the first section to end.

First you need to open the loops at the top and then untwist the wire with pliers or by hand. Make sure to wear gloves.



Step 4: Gently pull the mesh further to unroll it completely.

That's it, you're done! You can now install the chain link as a garden perimeter fencing, use it as an animal enclosure or whatever else that comes to your mind.

If you need any advice for installing it, just let us know and we'll be happy to help.