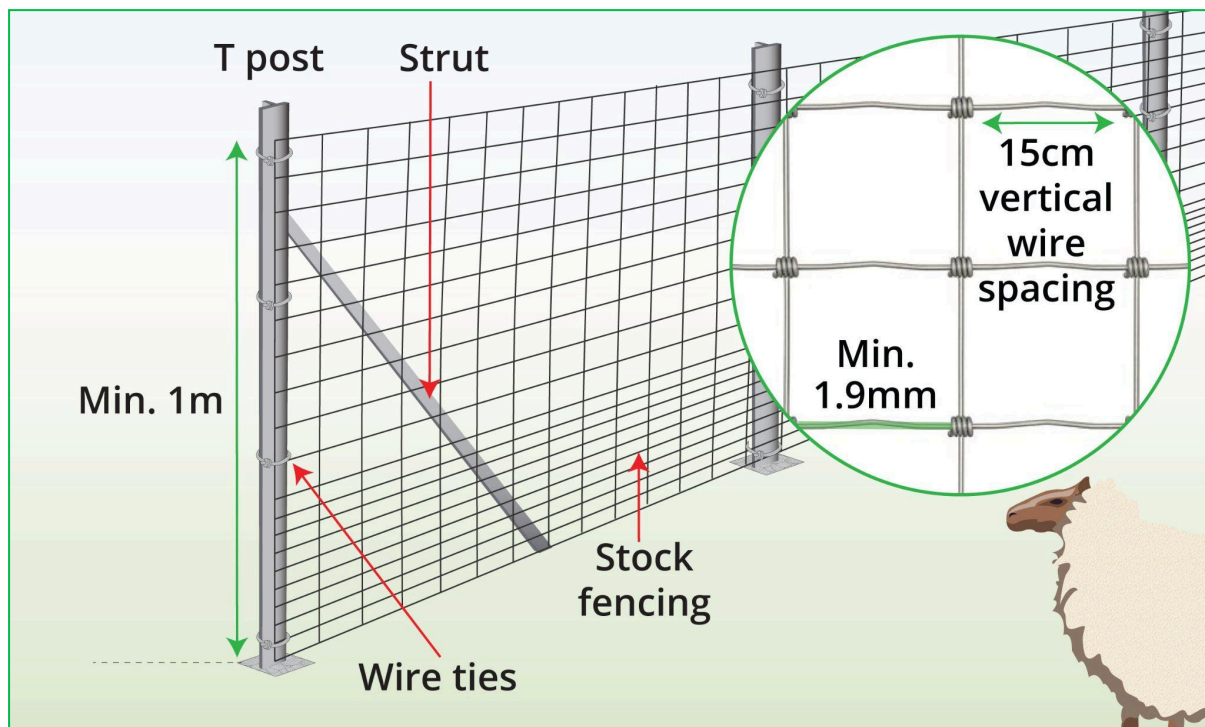
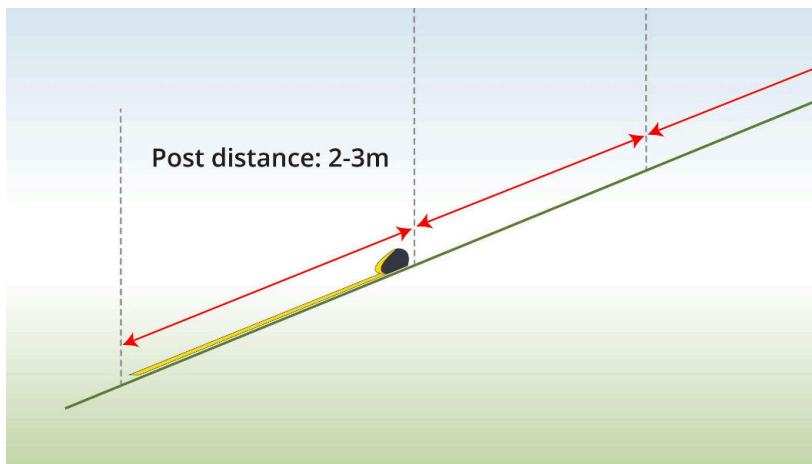


SHEEP FENCE INSTALLATION With Stock Fencing

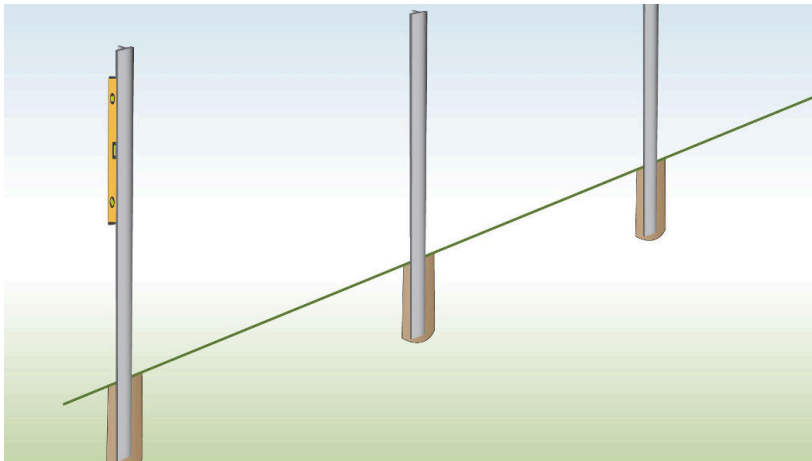


THINGS YOU'LL NEED

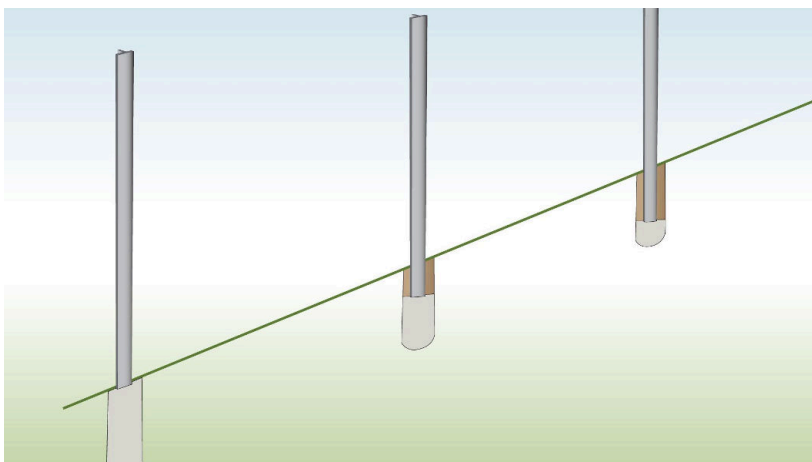
- Sheep fencing
- T posts
- Reinforcement Struts
- Bolts & Nuts
- Wire ties
- Post driver
- Level
- Tape measure
- Cement

INSTRUCTIONS**Step 1: Measure Pole Distance**

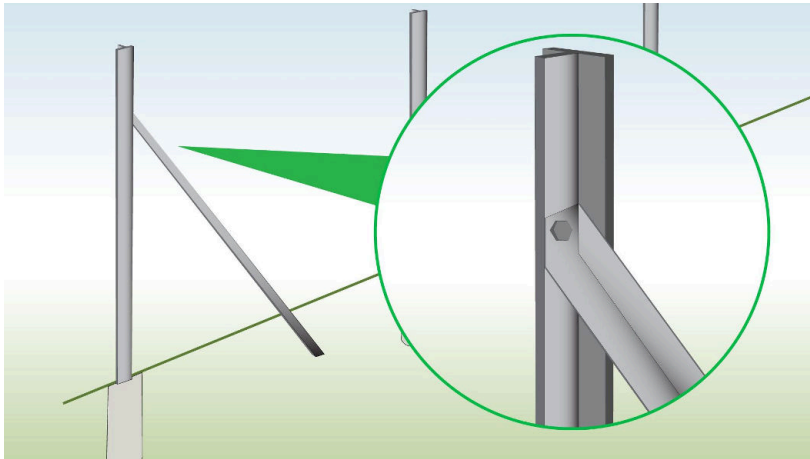
Mark out where the posts will go, keeping them spaced about 2-3 m apart.

**Step 2: Dig the Holes**

Dig the holes and set the posts in place, making sure they line up with the flat sides facing outwards.

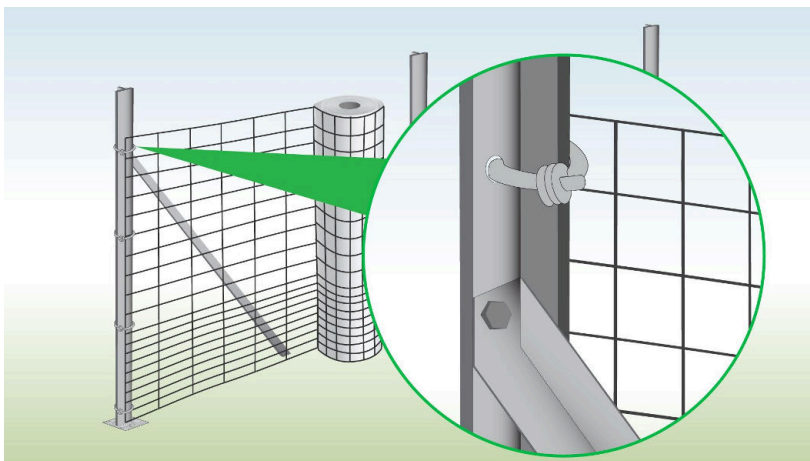
**Step 3: Set the Posts in Concrete**

Set the posts with concrete to ensure they are stable.



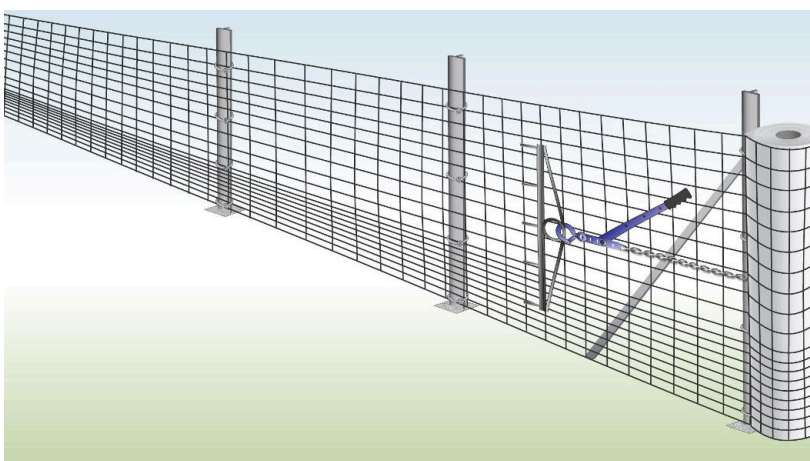
Step 4: Install Reinforcement Struts

Fit the reinforcement strut by matching its hole with the second hole from the top of the T post.



Step 5: Attach Fencing to First Post

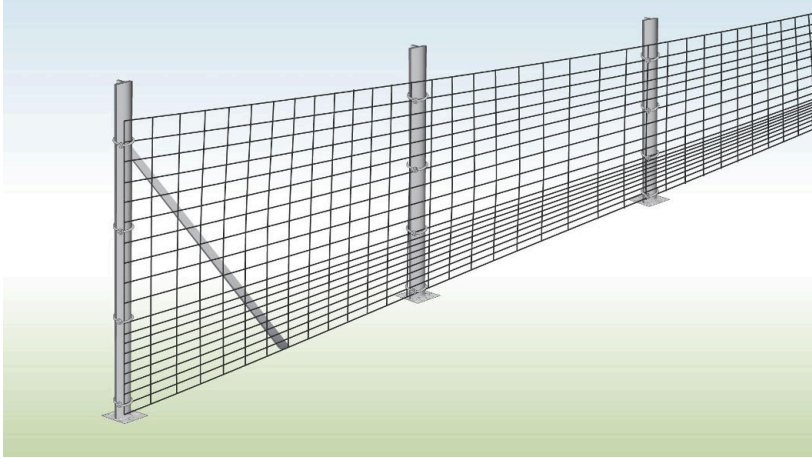
Attach the fence to the first post with wire ties.



Step 6: Pull It Tight

Unroll it towards the other end, keeping it tight between the posts.

Trim any extra, then attach the fence to the post as before, and release the tension.



Step 7: Attach to Middle Posts

Lastly, attach the fence to the middle posts with wire ties.