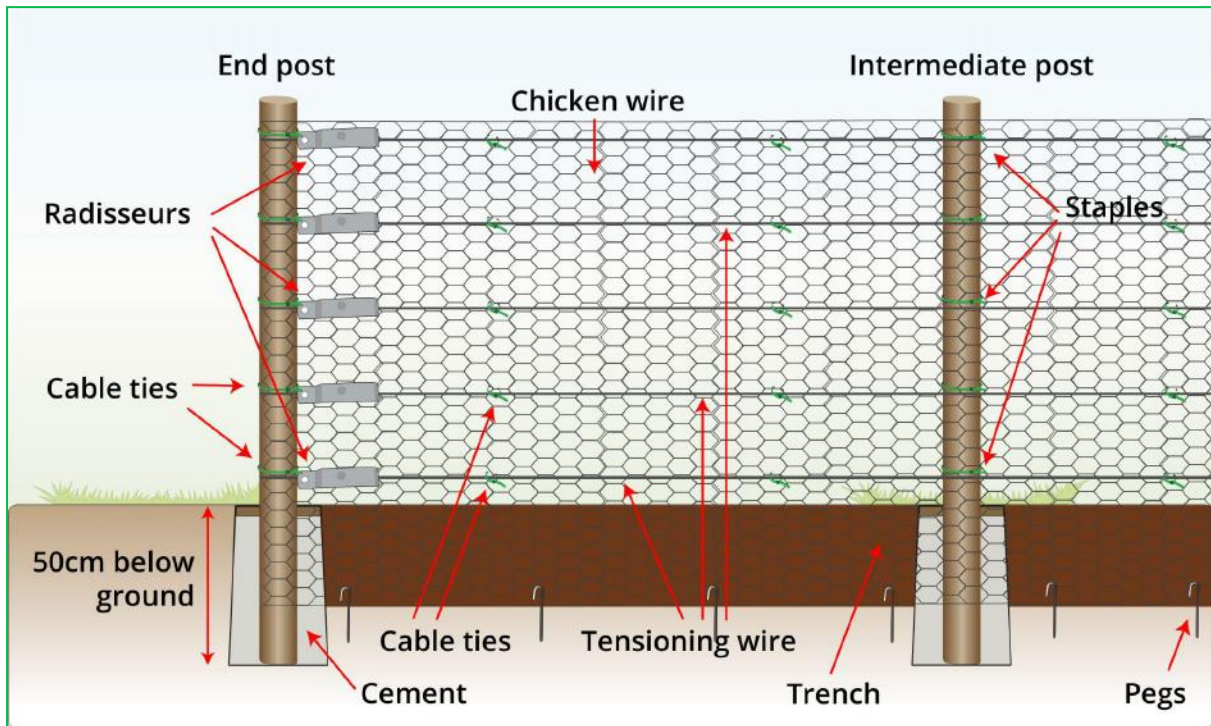


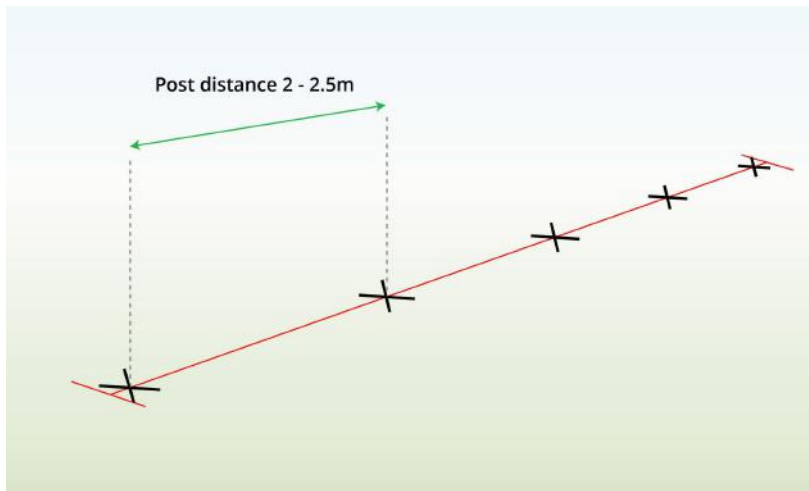
CHICKEN WIRE INSTALLATION With Extra Security



THINGS YOU'LL NEED

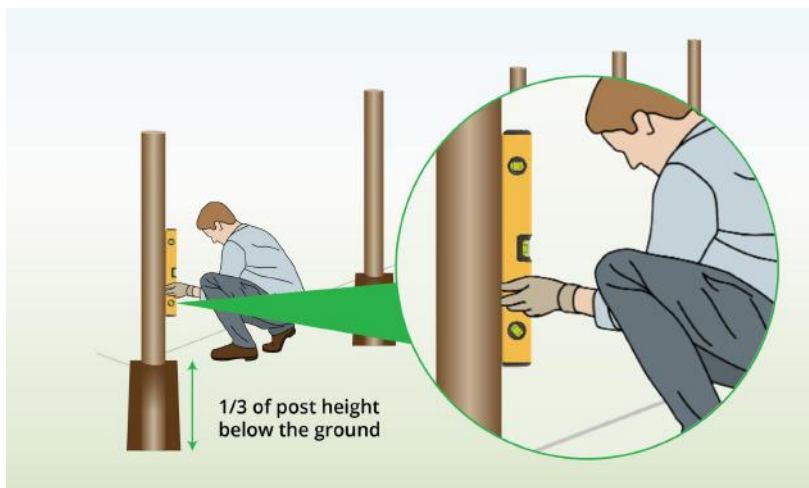
- [Chicken wire](#)
- [Tensioning wire](#) (optional)
- [Radisseur](#) (optional)
- Pliers
- Hammer
- Wire cutters
- Wooden posts
- [Staples](#)
- [Cable ties](#)
- [Pegs](#)
- Spade
- Cement (optional)

INSTRUCTIONS



Step 1: Mark the Post Location

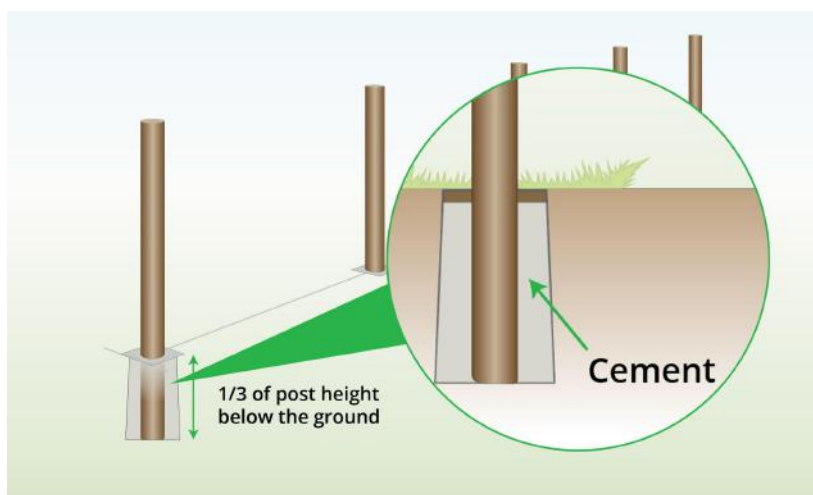
Designate the post positions at intervals of 2-2.5m from each other.



Step 2: Dig Holes

Dig a hole to insert your post, ensuring that the depth of the hole is approximately one-third of the post's length.

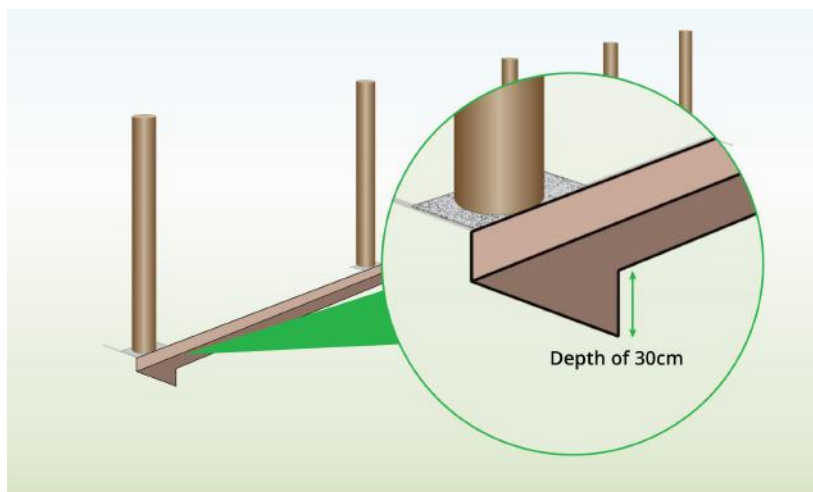
Use a spirit level to verify that the posts are perfectly vertical.



Step 3: Cement Posts In (Optional)

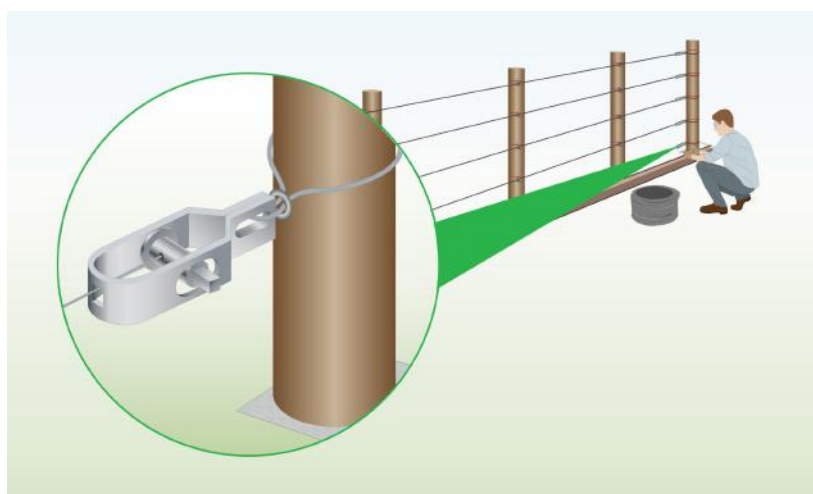
Fill the holes with concrete, and then position your posts into the concrete.

Use a spirit level to confirm that the posts are perfectly vertical.



Step 4: Dig a Trench

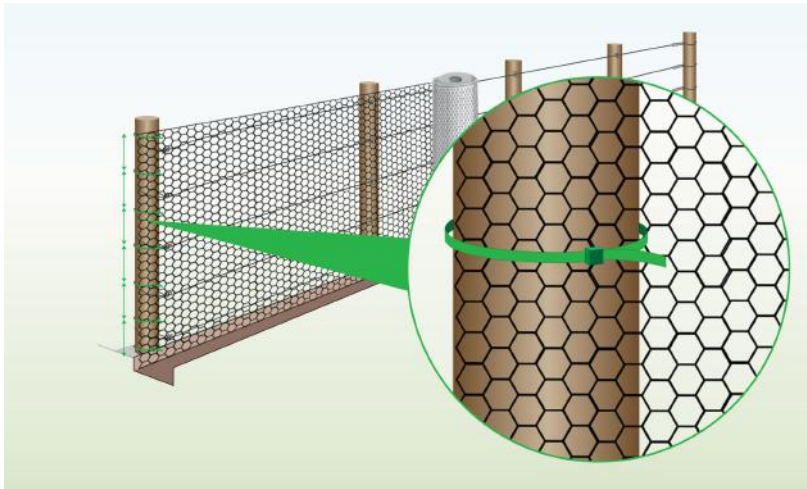
Dig a trench along your fence line for the netting, making it approximately 30cm deep.



Step 5: Install Tensioning Wire (Optional)

To achieve a robust and highly secure fence, employ tensioning wire in multiple rows.

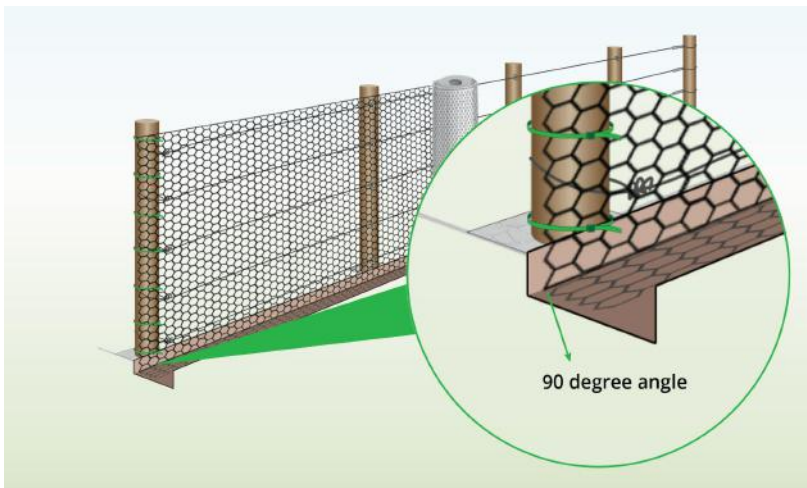
Instructions for tensioning a fence can be found [here](#).



Step 6: Attach Mesh to End Post

Take enough mesh to cover the gap between the first two posts.

Fasten the mesh to the posts using staples or cable ties every 15cm, leaving an additional 15cm at the bottom, pointing outward.



Step 7: Bend the Mesh

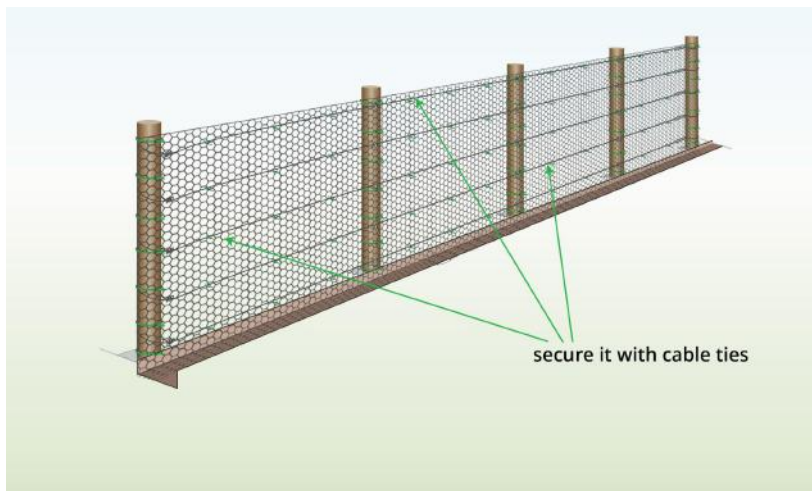
Fold the bottom of the mesh at a 90-degree angle to create a 15cm lip.

The flap will cover the bottom of the trench on the outer side of the fence.



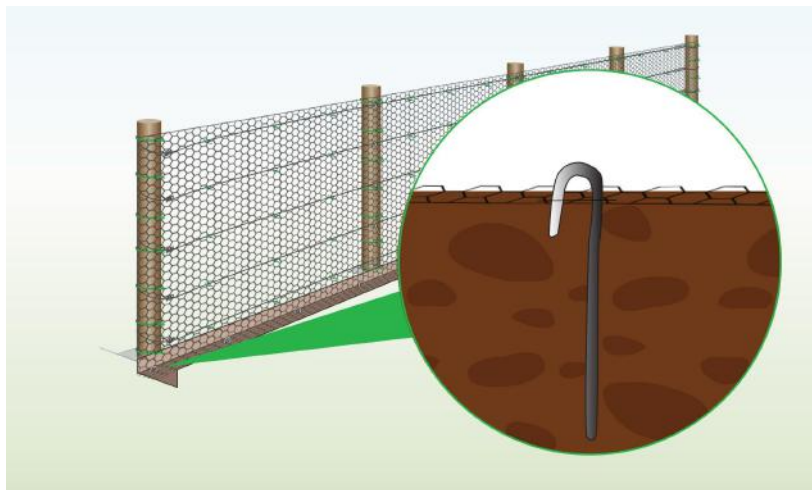
Step 8: Attach Mesh to Posts

Attach the remaining mesh by following steps 6 and 7.



Step 9: Attach to Tension Wire (Optional)

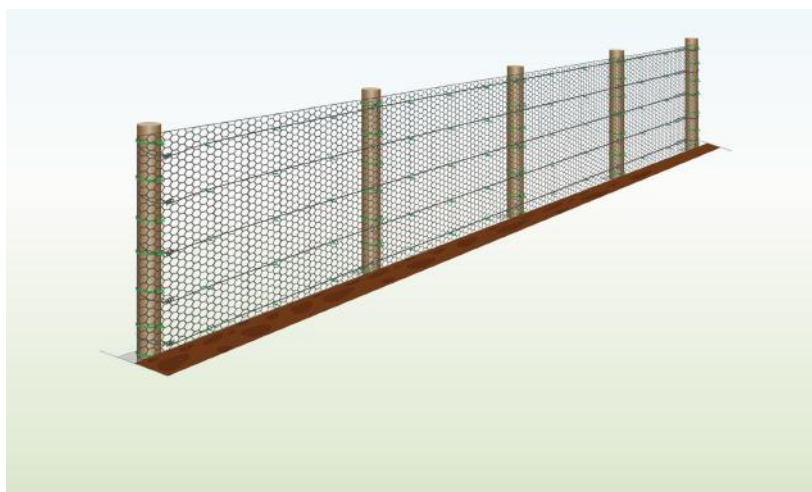
If you attached tensioning wire, secure it to the fencing in several spots to assist in maintaining the fence's tension.



Step 10: Secure the Flap

Using pegs to anchor the flap to the ground.

Staple the mesh right at the 90-degree angle and also at the outer edge of the lip, repeating this process every 60cm.



Step 11: Cover the Trench

Cover the flap by covering it with 5cm of soil or mulch.

Optional: Add a layer of concrete into the trench to enhance security against digging.

