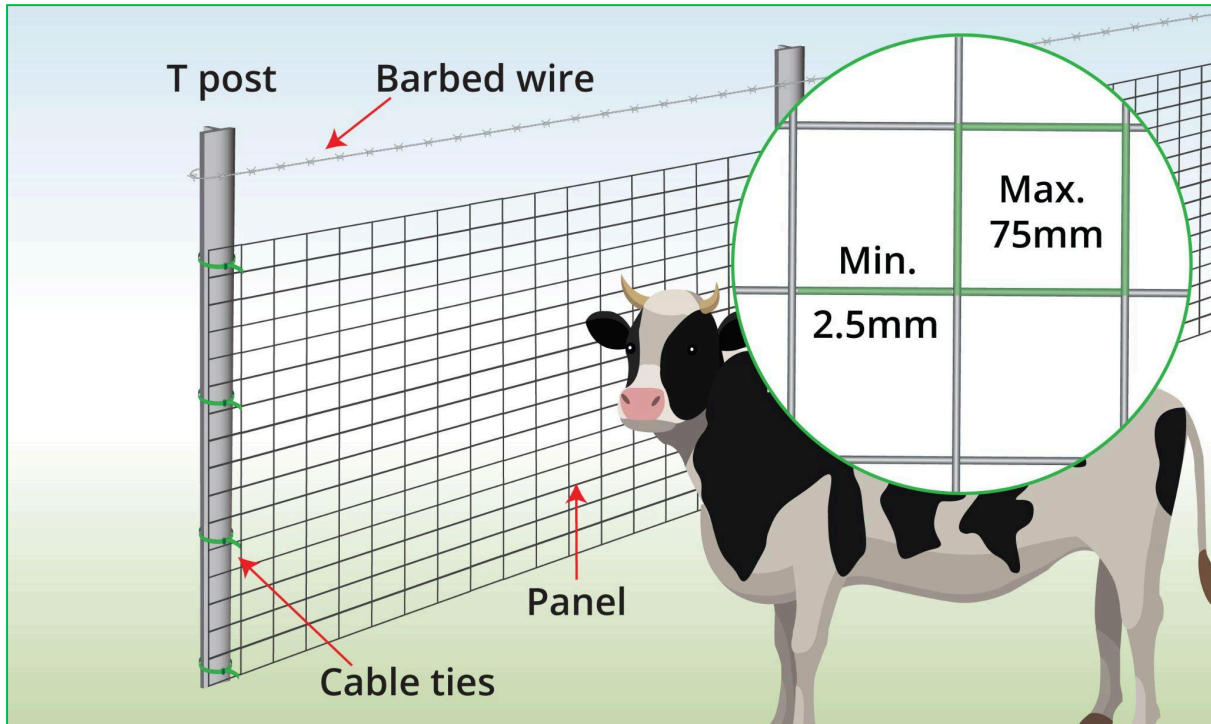
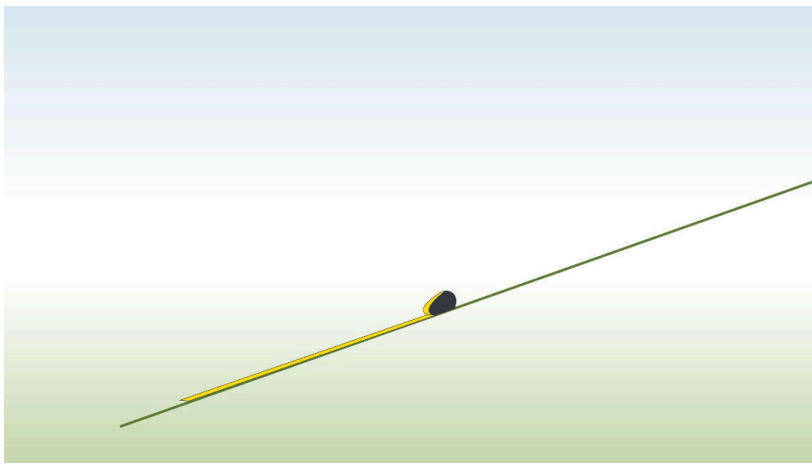


## CATTLE PANEL FENCE Installation

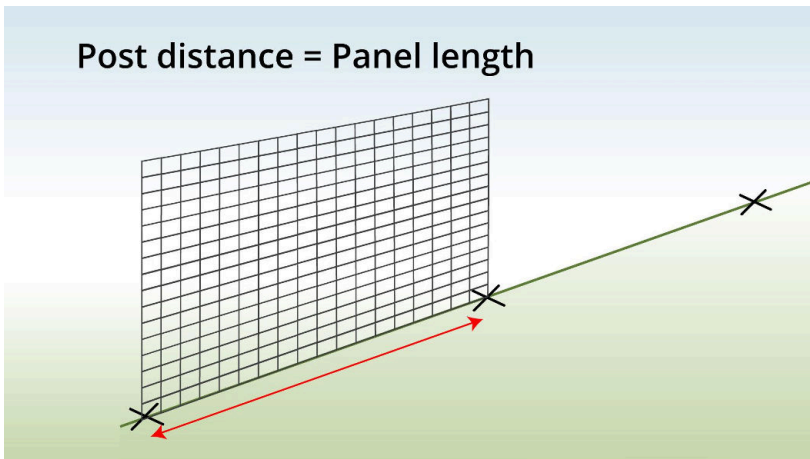


### THINGS YOU'LL NEED

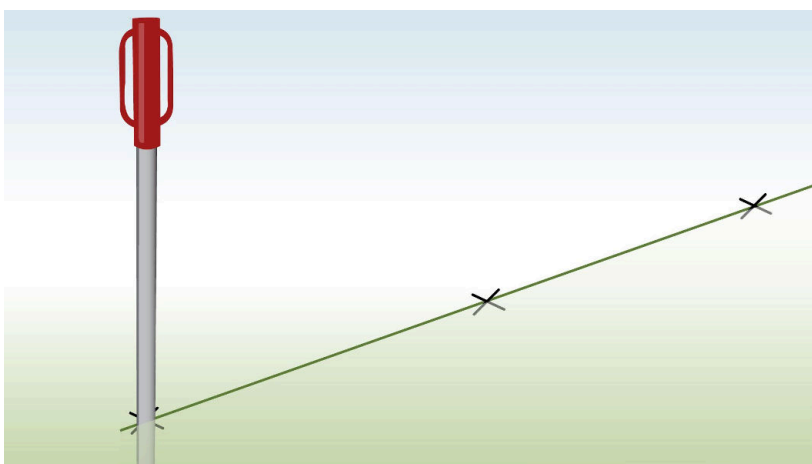
- Panels
- T posts
- Cable ties
- Barbed wire
- Post driver
- Level
- Tape measure

**INSTRUCTIONS****Step 1: Measure & Mark Area**

Measure and mark a straight line between the two end posts.

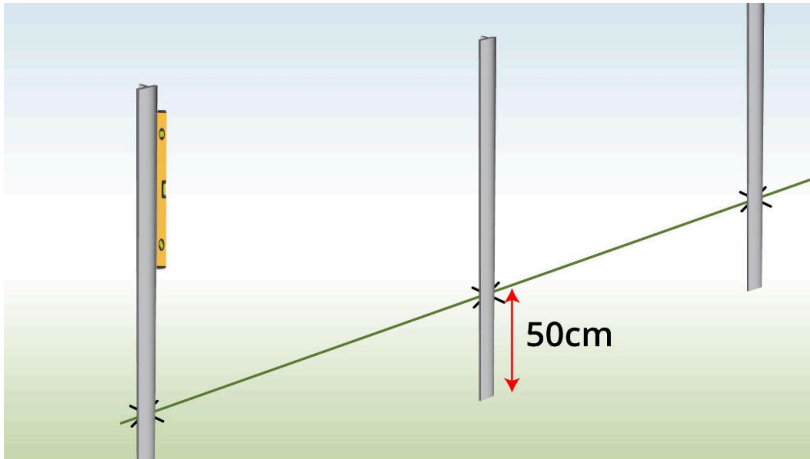
**Step 2: Mark the Post Distance**

Use your panels to mark the spacing between the posts.

**Step 3: Install End Posts**

Use a post driver to drive the end posts 50cm into the ground.

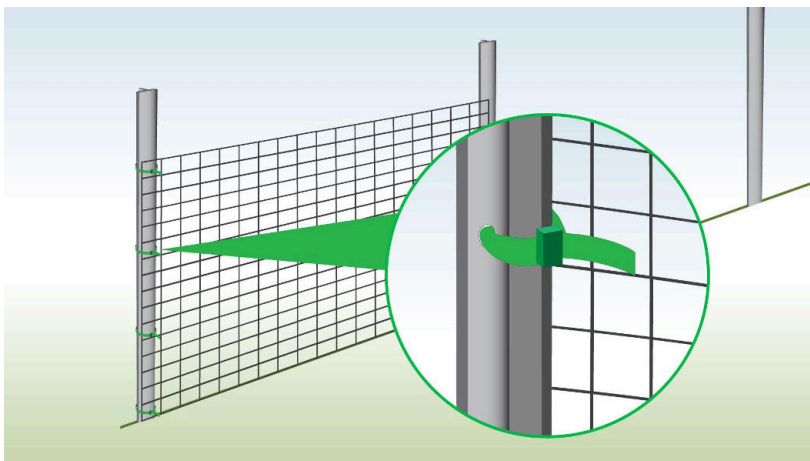
For stronger, more secure fencing, set your posts in concrete.



#### **Step 4: Install and Check Posts**

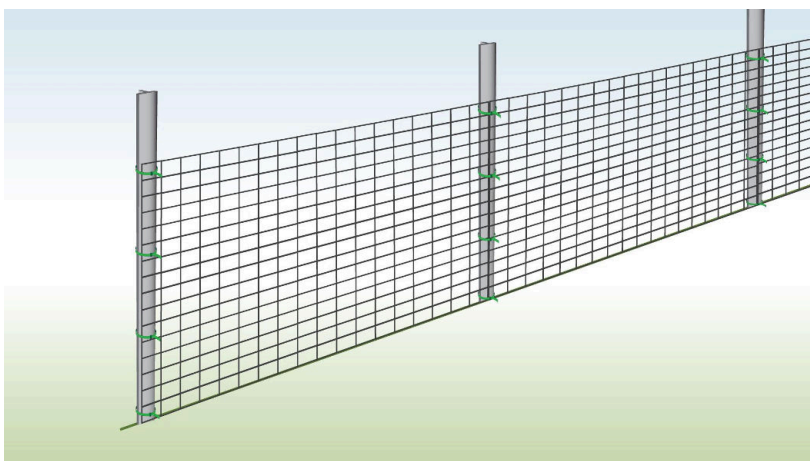
Install the middle posts using a post driver.

Make sure they are installed straight, with at least 50cm of the post in the ground.



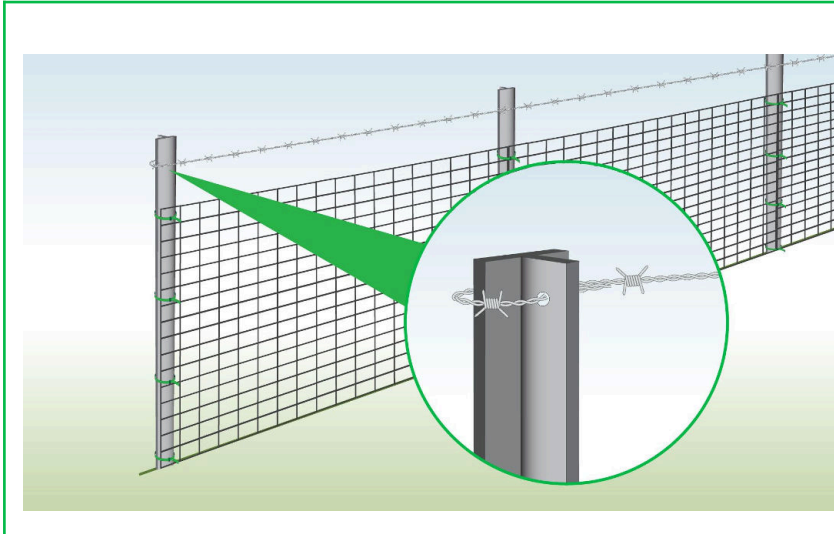
#### **Step 5: Secure First Panel to Post**

Secure the first panel to the end post using cable ties, threading them through the pre-drilled holes in the post.



#### **Step 6: Continue Securing Panels**

Continue securing each panel to the posts using cable ties.



**Step 7: Barbed Wire at the Top**

Install a strand of barbed wire along the top of the fence.

