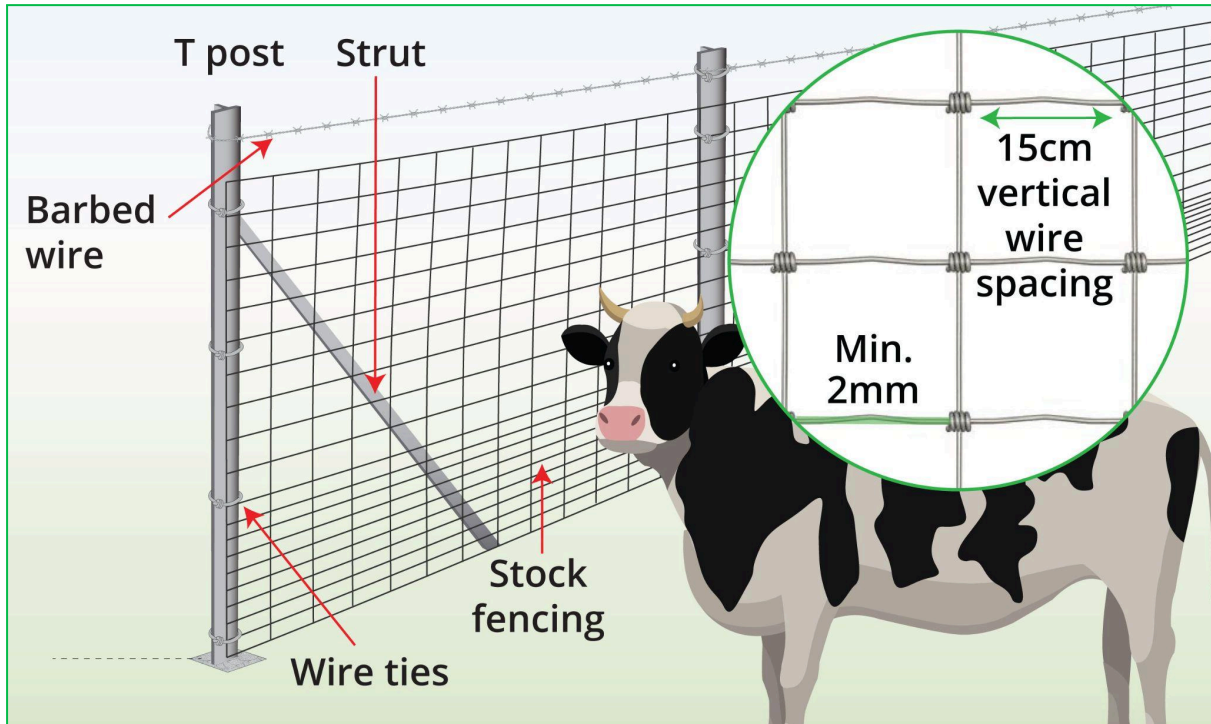


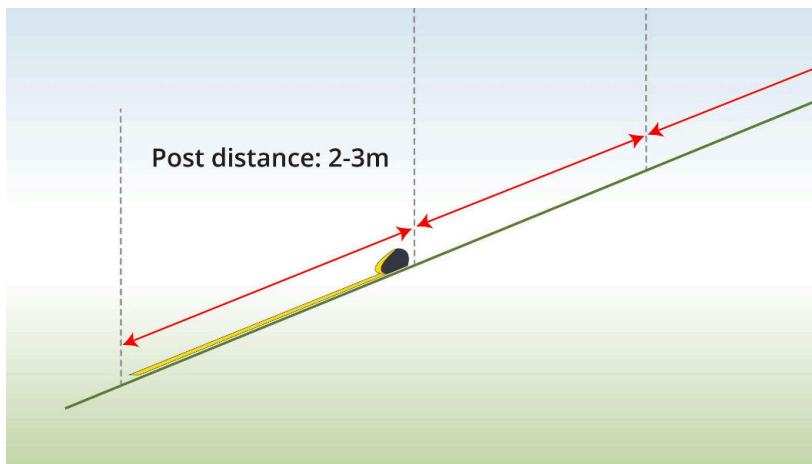
## CATTLE FENCE INSTALLATION

### With Stock Fencing

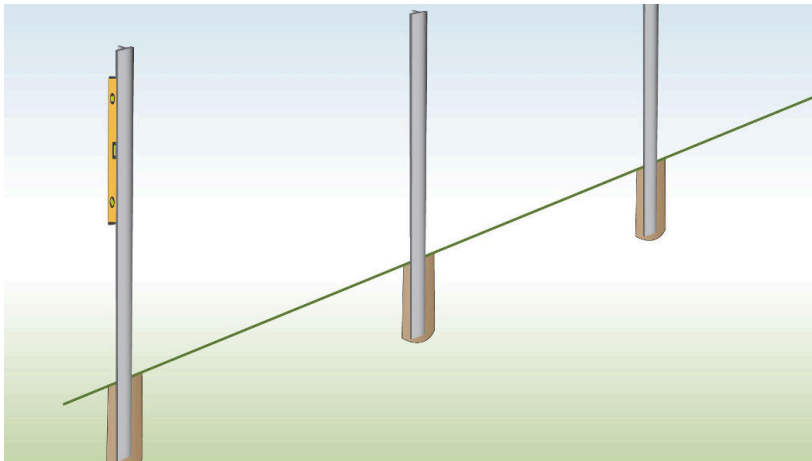


### THINGS YOU'LL NEED

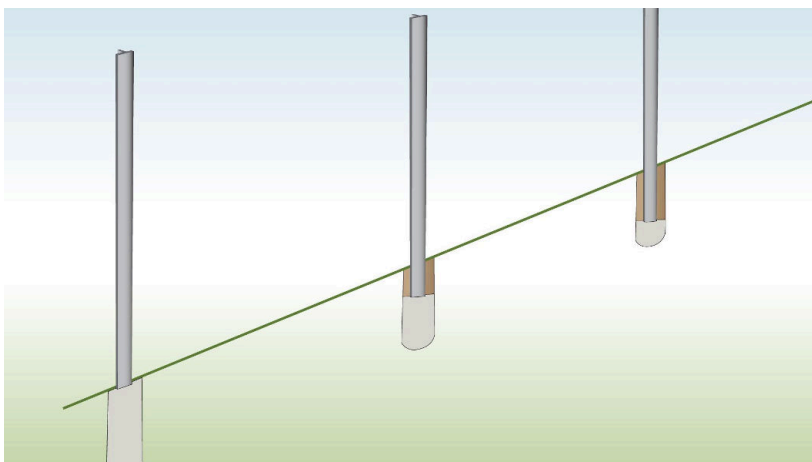
- Stock fencing
- T posts
- Reinforcement Struts
- Bolts & Nuts
- Wire ties
- Barbed wire
- Post driver
- Level
- Tape measure
- Cement

**INSTRUCTIONS****Step 1: Measure Post Distance**

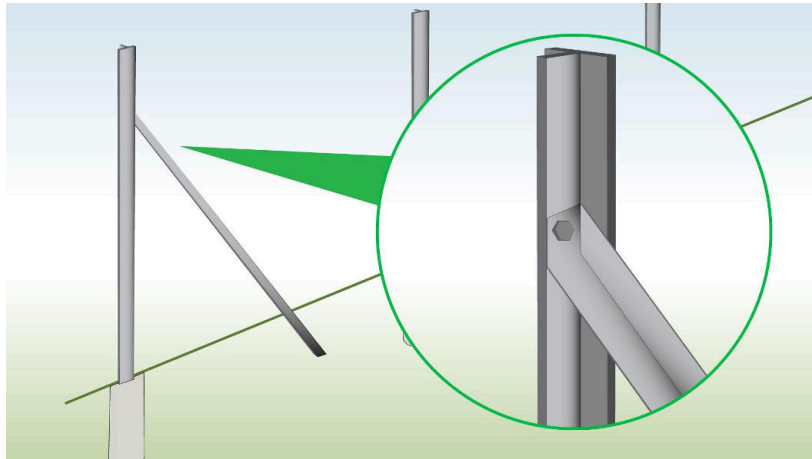
Measure and mark where each post will go, leaving a gap of 2–3 m between them.

**Step 2: Dig Holes**

Dig the holes and insert the posts, making sure they're aligned with their flat sides facing outward.

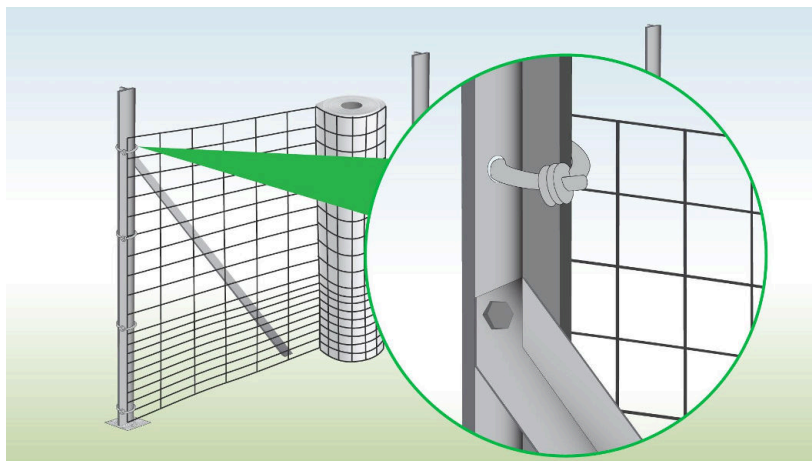
**Step 3: Set Posts in Concrete**

Set the posts in concrete to keep them firm and stable.



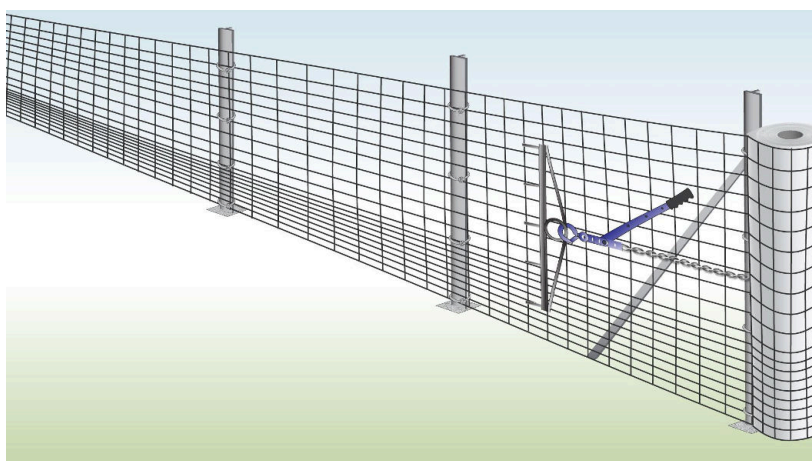
#### **Step 4: Install Reinforcement Struts**

Fix the reinforcement strut by lining up its hole with the second hole from the top of the T-post.



#### **Step 5: Secure Fencing to First Post**

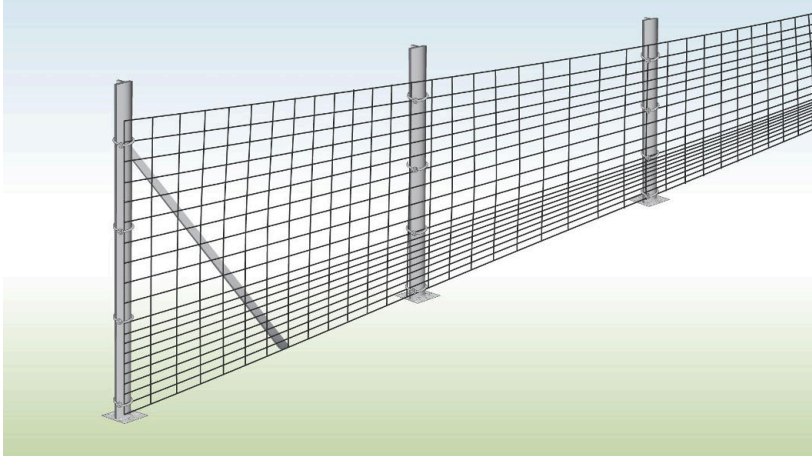
Fasten the fence to the first end post with wire ties.



#### **Step 6: Stretch It Tight**

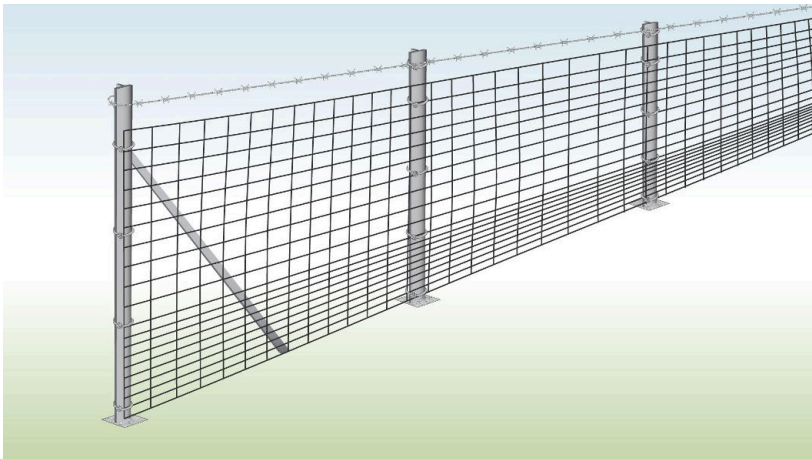
Unroll the fence towards the opposite end, keeping it taut between the end posts.

Trim any excess, fasten it to the end post as you did before, and then release the tension.



### **Step 7: Secure to Middle Posts**

Move along the fence and secure it to the intermediate posts using the same wire ties.



### **Step 8: Barbed Wire at the Top**

Lastly, attach a strand of barbed wire along the top of the fence.