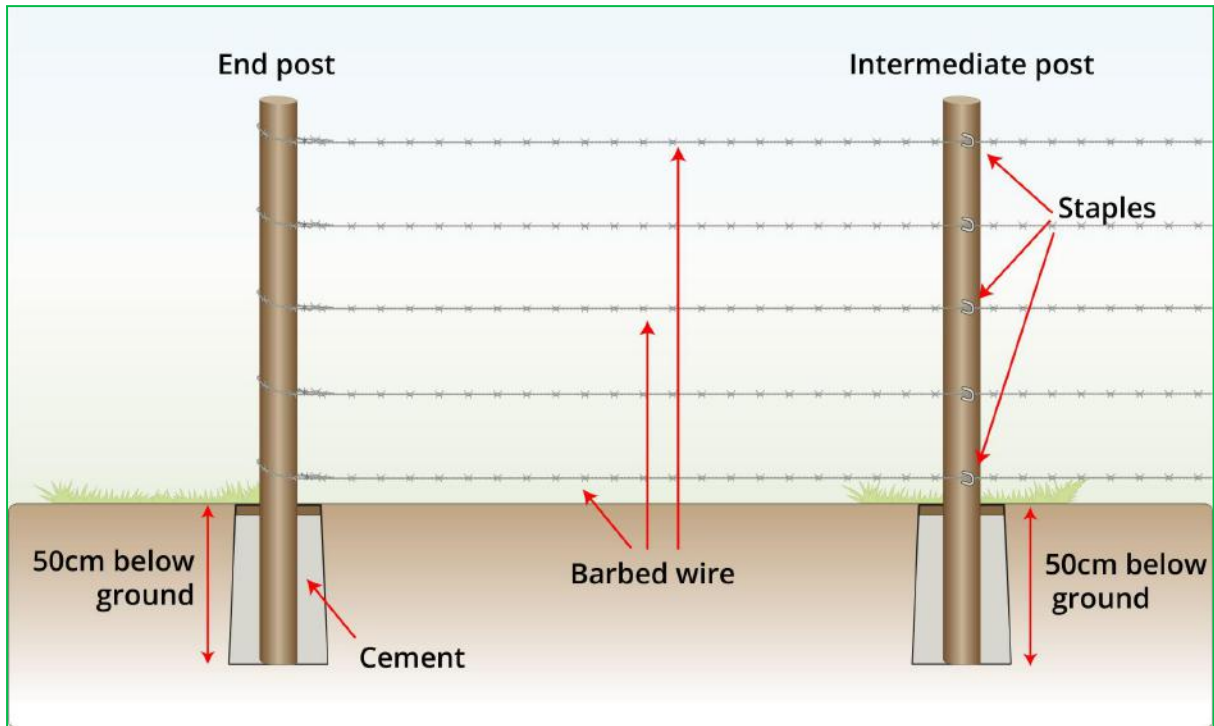


HOW TO INSTALL A BARBED WIRE FENCE



THINGS YOU'LL NEED

- [Barbed wire](#)
- Protective gloves
- [Radisseur](#) (optional)
- Plier
- Hammer
- Wire cutters
- Wooden or [metal posts](#)
- [Staples](#)
- Spade (optional)
- Cement (optional)

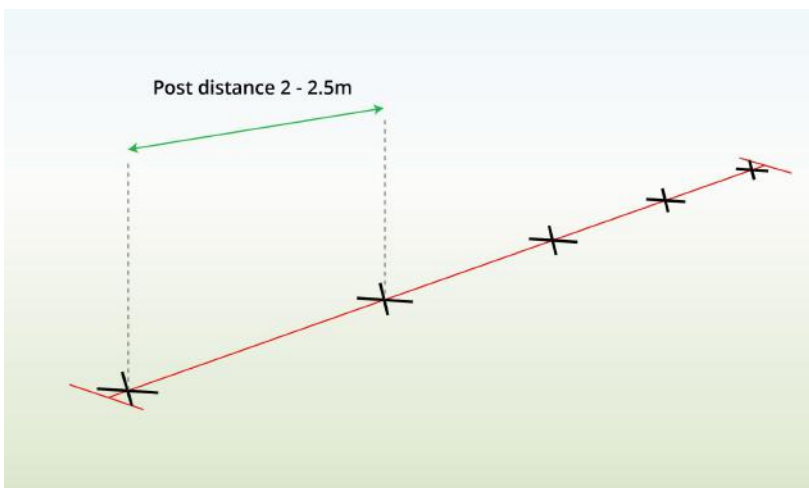
INSTRUCTIONS



Step 1: Safety Preparation

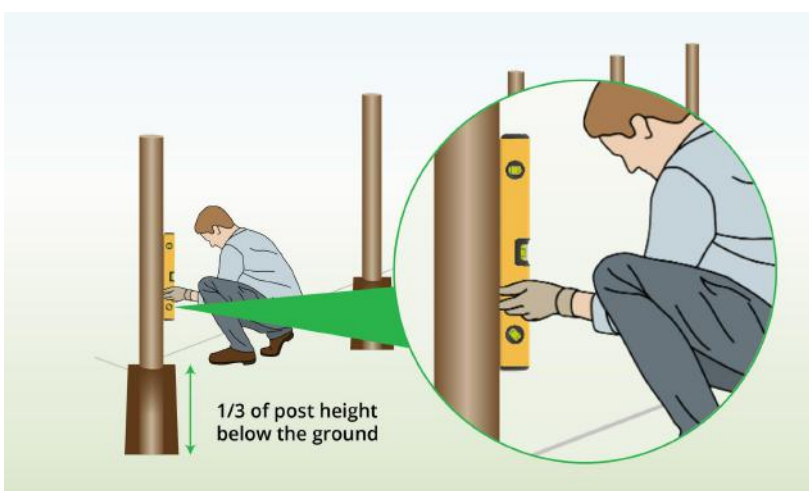
Wear gloves, boots, and protective eyewear to prevent injury.

Working with someone will also reduce the risk of injury.



Step 2: Mark the Post Location

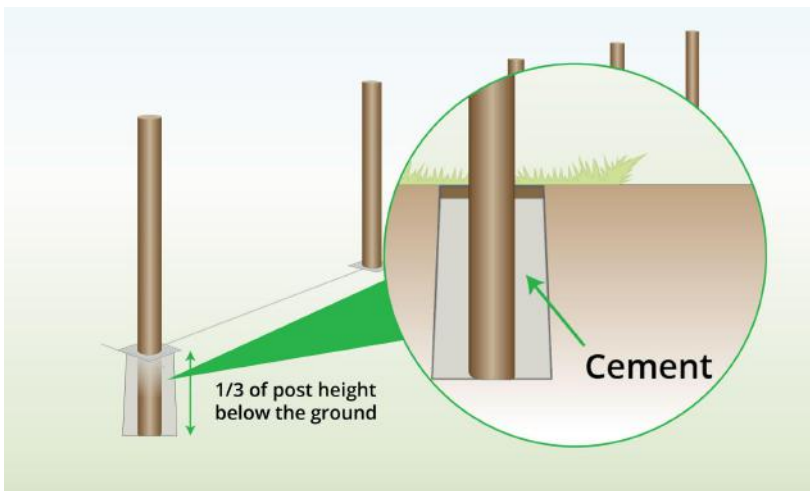
Indicate the post locations with a 2-2.5m distance between each one.



Step 3: Dig Holes

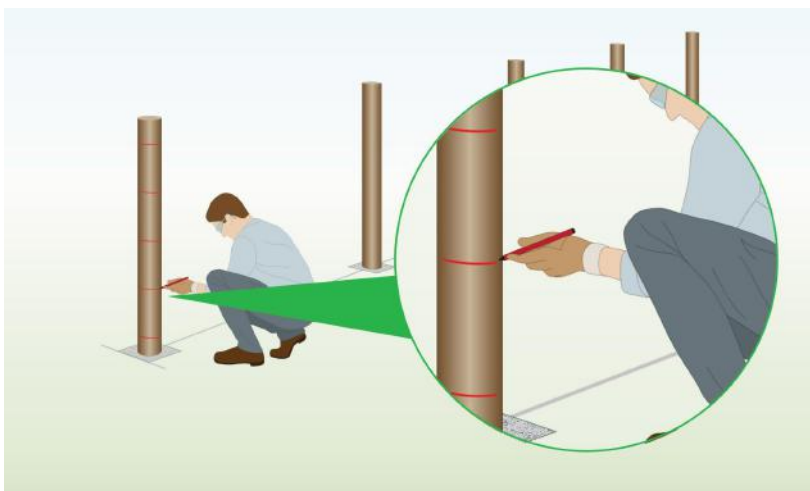
Dig a hole in which to position your posts. The depth of this hole should be approx. one-third of the post.

Use a spirit level to verify that the posts are straight.



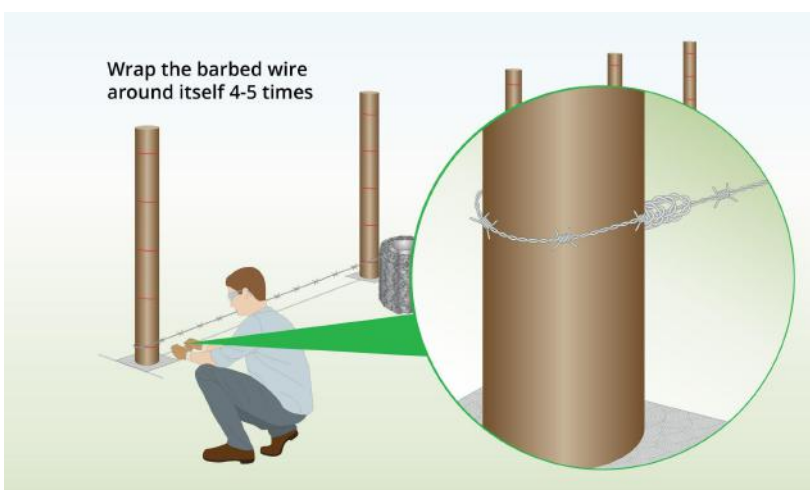
Step 4: Cement in Posts (Optional)

Pour concrete into the holes and then position your posts within the concrete.



Step 5: Mark Wire Location

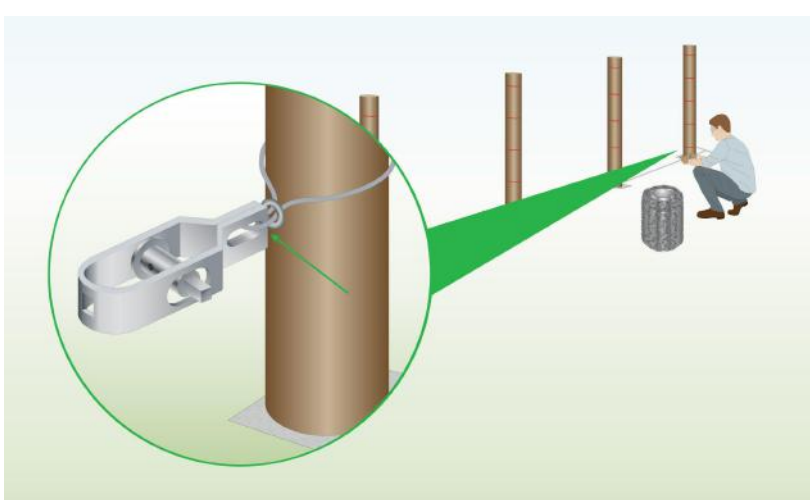
Mark the posts to indicate the precise locations for installing each wire strand.



Step 6: Secure Wire to Start Post

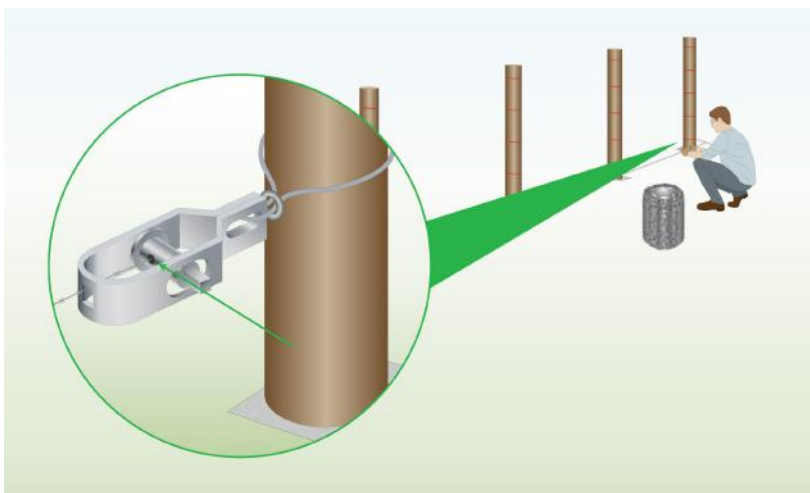
Fasten the first strand of wire to the bottom of the starting post while wearing protective gloves.

Then carefully wrap the end around itself 4-5 times.



Step 7: Secure Radisseur to Last Post

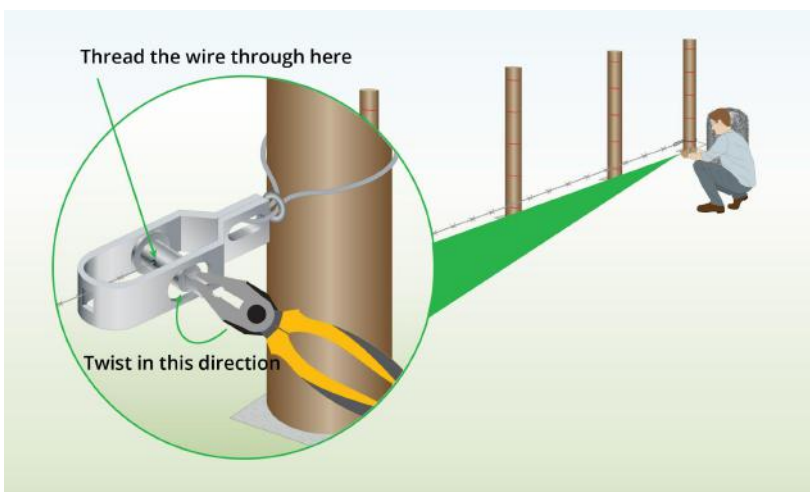
Using a distinct piece of wire attach the radisseur to the end post at the same elevation.



Step 8: Secure Wire to Radisseur

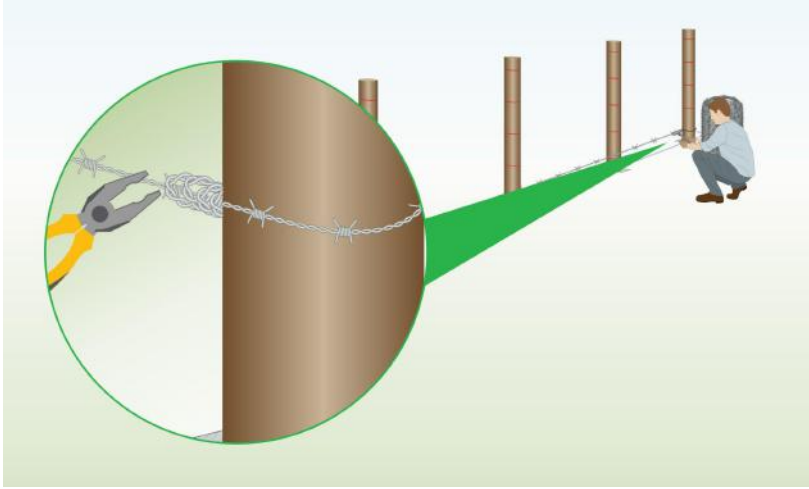
Cut the first line of barb wire leaving an additional 10 cm in length.

Thread the wire through the hole situated in the centre of the radisseur.



Step 9: Tension the Wire

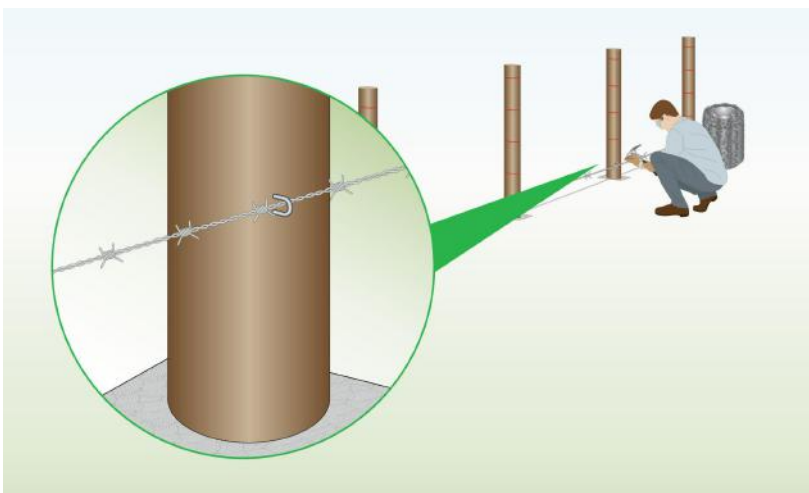
Use pliers to turn the pin on the radisseur clockwise, thus increasing tension.



Alternative Option

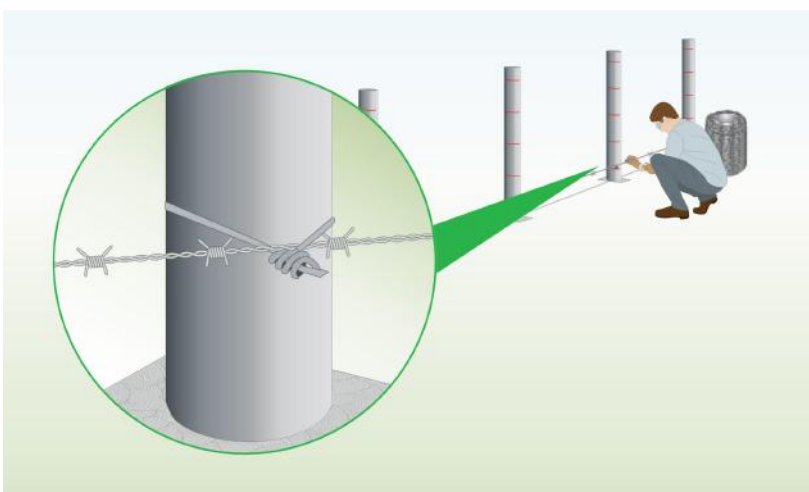
In the absence of a radsisseur, you can twist the wire around the post and coil it around itself 4-5 times.

This method will not generate as much tension as using a radsisseur.



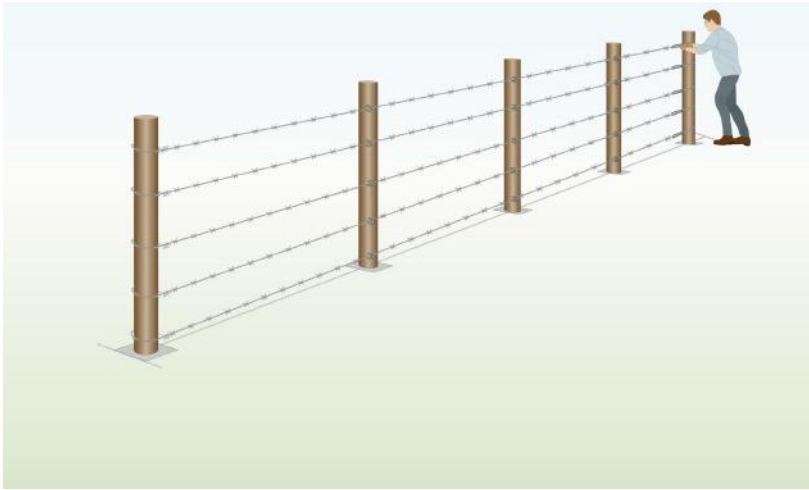
Step 10: Secure to Middle Posts

Secure the wire to the middle posts with staples. Ensure there's a bit of space for the wire to move within the staple.



Alternative Option

For metal posts without pre-drilled holes, cut a piece of wire and use it to individually fasten each barb wire to every intermediate post.



Step 11: Repeat Steps 6-10

To finish your barbed wire fence, repeat steps 6-10.